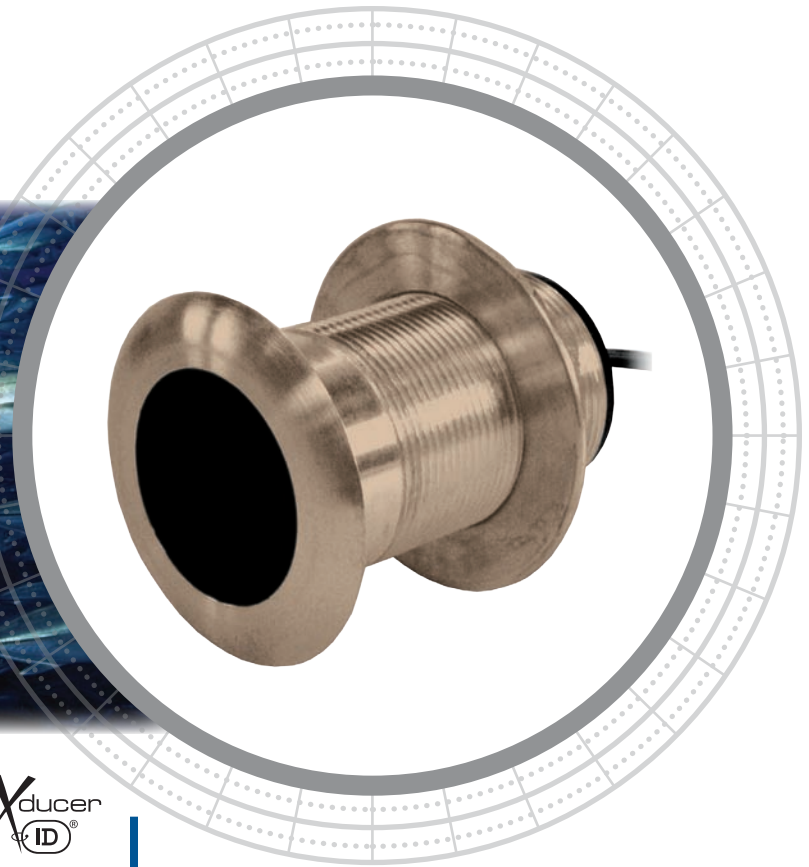


P319 B117



Minimize Your Drag

The P319 and B117 feature Airmar's 50/200 kHz, dual-frequency, single-ceramic element in a low-profile housing. Plastic and bronze models are available to accommodate all hull types. The nearly flush design minimizes drag with only 5 mm (2/10") extending outside the hull.



Plastic housing—P319

Thru-Hull Low-Profile 600 W

Applications

- Planing hull powerboats
- Sailboats

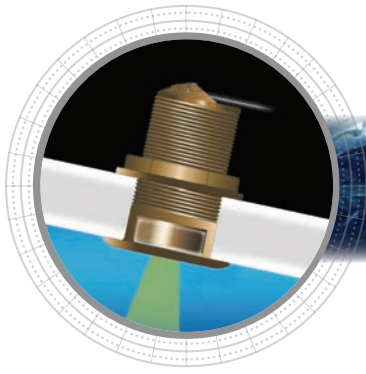
Features

- Industry standard for low-profile transducers
- Depth only or Depth and temperature
- Good target detail in shallow-water at 200 kHz and good deep-water bottom tracking at 50 kHz
- Right angle cable exit offers low headroom and protection when transducer is stepped on
- Included rubber washer allows tightening of the hull nut to irregular hull surfaces
- Housings are ABYC H-27 compliant
- Optional temperature sensor
- Plastic or bronze housings available
- Boat Size: 8 m (25') and up



Sensing Technology

www.airmar.com



P319, B117

Technical Information

| 50/200 kHz-A | |
|---|----------------------|
| Number of Elements and Configuration | ○ |
| Beamwidth (@-3 dB) | 45° 12° |
| RMS Power (W) | 600 W 600 W |
| TVR | 154 dB 164 dB |
| RVR | -179 dB -185 dB |
| FOM | -33 dB -21 dB |
| Q | 28 30 |
| Impedance | 200 Ω 375 Ω |

| MAXIMUM DEPTH RANGE | |
|------------------------------------|----------------------------------|
| 50 kHz | 200 kHz |
| 235 m to 353 m (800' to 1,200') | 118 m to 206 m (400' to 700') |

| BEAM DIAMETER VS DEPTH | | |
|------------------------|--------------|-------------|
| Depth | 50 kHz | 200 kHz |
| 9 m (30') | 8 m (25') | 2 m (6') |
| 30 m (100') | 25 m (83') | 6 m (21') |
| 122 m (400') | 101 m (331') | 26 m (84') |
| 305 m (1,000') | 252 m (828') | 64 m (210') |

| SPECIFICATIONS |
|---|
| Weight: Plastic—0.6 kg (1.3 lb) Bronze—0.9 kg (2.0 lb) |
| Hull Deadrise: Up to 8° |
| Acoustic Window: Urethane |
| Hole Diameter: 51 mm (2") |

DIMENSIONS

